

## Pole Mounting Box (SPB1)



### Features

- Oval design allows more space for wiring
- Accepts up to three single poles, below 100 A, or one single pole above 100 A, or one triple pole circuit breaker (not supplied)
- Up to three operating slides can be fitted for independent circuit breaker operation
- Orange slide visible from street level
- Slide can be operated with a hooked rod or linkstick from the ground
- Large terminals accept up to 50 mm<sup>2</sup> cable
- Fully weather proof
- Convenient mounting methods for pole, cross arm or under insulator
- Manufactured from tough polypropylene material impervious to UV, air gun pellets, etc.
- Unique nylon cord fitted to secure lid to base during termination

### Application

Pole mounting enclosures for circuit breakers have been designed to protect of the overhead line and the service cable to the consumer, against short circuit and if an installation is faulty, the whole installation can be isolated from the distribution system thereby reducing the risk of black-outs in a whole area. The QF circuit breakers used in these pole mounted enclosures are available with such operating characteristics to guarantee discrimination on low and medium overloads to downstream circuit breakers.

### Optional Accessories

- Horizontal mounting bracket - ferrous
- Vertical mounting bracket - ferrous
- Horizontal / vertical mounting bracket - ferrous
- Horizontal / vertical mounting bracket - non ferrous
- Strapping bracket - non - ferrous
- Operating slide with hole plug

### Technical Data

The SPB1 will accept three single pole, or one double pole or one triple pole QF type circuit breaker. It is recommended that curve 1 circuit breakers are used to provide discrimination between this circuit breaker and those at the consumer premises.

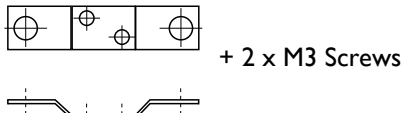
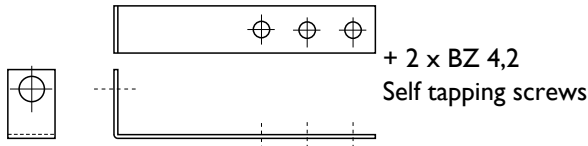
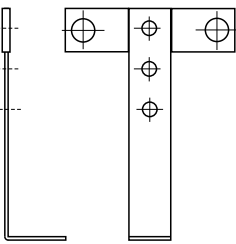
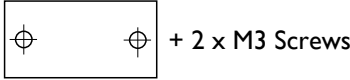
Product	Description	Std. Pack	Order No.
<b>SPB1</b>	Plastic pole mounting box complete with one operating slide (excludes mounting bracket MCBs, will accept 1, 2, 3-pole MCBs type QF, SF, and QH)	10	SPB1001
<b>SPB1 Kit-B</b>	Horizontal mounting bracket - ferrous	10	3674000
<b>SPB1 Kit-D</b>	Vertical mounting bracket - ferrous	10	3674001
<b>SPB1 Kit-E</b>	Vertical mounting bracket - ferrous	10	3670022
<b>SPB1 Kit-F</b>	Horizontal / vertical mounting bracket - ferrous	10	3674002
<b>SPB1 Kit-G</b>	Horizontal / vertical mounting bracket - non ferrous	10	3670024
<b>SPB1 Kit-HP</b>	Strapping bracket - non-ferrous	10	3670025
<b>SPB1 Slide</b>	Operating slide with hole plug	10	2166100

## Pole Mounting Box (SPB1)

### Mounting and Installation

The unit can be mounted to the cross arm, pole or under the porcelain insulator. The SPB1 is moulded from tough polypropylene and is unaffected by UV light or air gun pellets. The orange slide enables external switching of the enclosed breaker, and can be activated by a hooked rod or linkstick (through a 17 mm hole on the side) hand held from the ground, which eliminates having to climb up the pole to switch the breaker on and off. A white indicator and the length of the slide protruding from the box indicate whether the breaker is on or off.

### Mounting Kits

<p>Kit "B" [Ferrous] Kit "G" [Non-Ferrous]</p>  <p>+ 2 x M3 Screws</p> <p>Horizontal bracket for mounting onto cross arm other than 38mm wide.</p>	<p>Kit "D" [Ferrous] Kit "E" [Non-Ferrous]</p>  <p>+ 2 x BZ 4,2 Self tapping screws</p> <p>Vertical bracket for mounting under insulator.</p>
<p>Kit "F" [Ferrous] Kit "G" [Non-Ferrous]</p>  <p>+ 2 x BZ 4,2 Self tapping screws</p> <p>Combination version of vertical and horizontal brackets.</p>	<p>Kit "H" [Non-Ferrous]</p>  <p>+ 2 x M3 Screws</p> <p>Bracket to enable strapping onto the pole.</p>

### Mounting Kits



Plastic Pole Mounting Box



Operating Slide



Kit B - Ferrous



Kit G - Non-ferrous



Kit D - Ferrous



Kit E - Non-ferrous



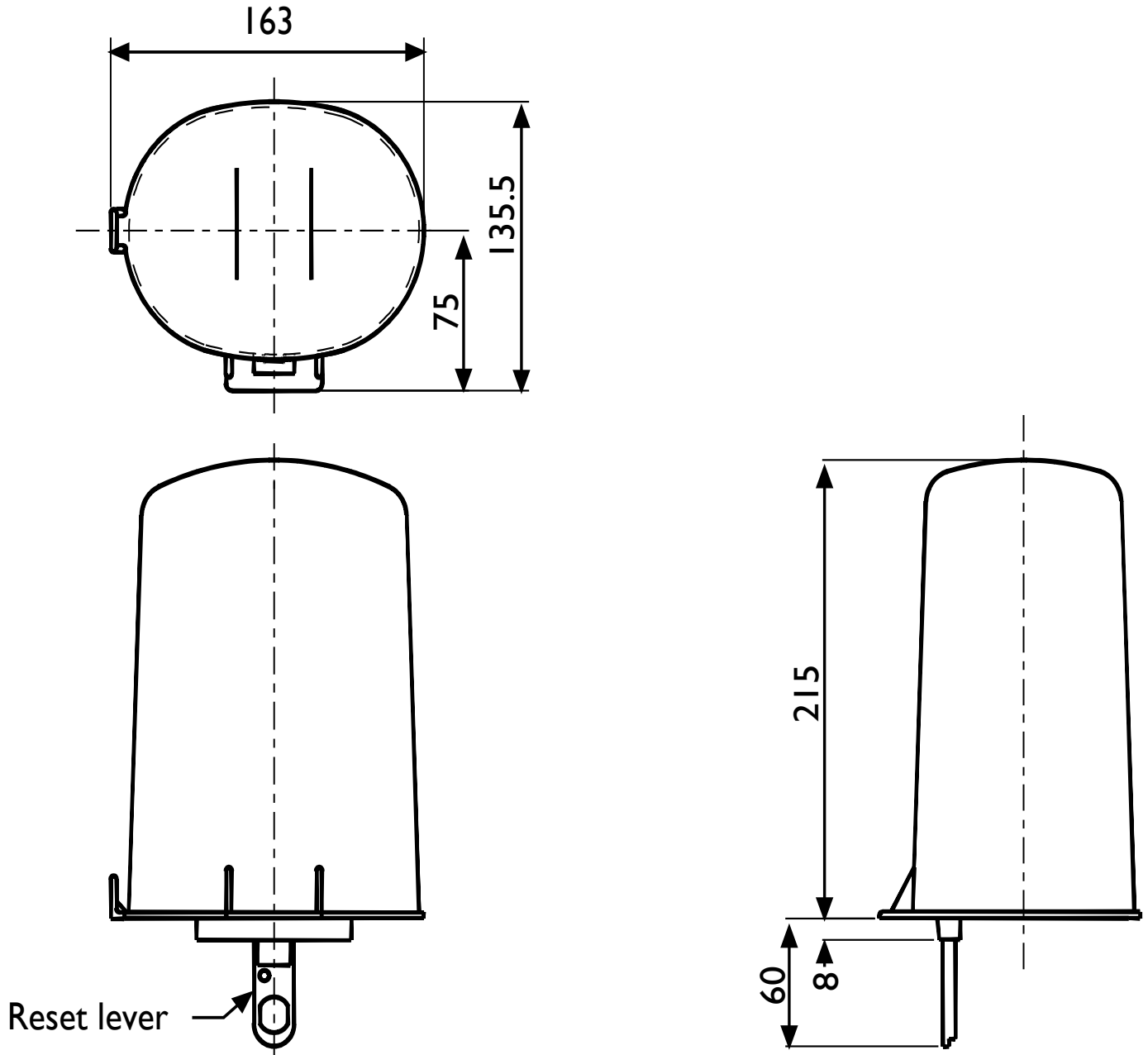
Kit H - Ferrous



Kit G - Non-ferrous

## Pole Mounting Box (SPBI)

### Dimensional Drawing: Pole Mounting Box



Please review our Customer Terms and Conditions on [www.cbi-lowvoltage.co.za](http://www.cbi-lowvoltage.co.za)

© 2016.09 CBI (Pty) Ltd. All Rights Reserved.

All rights reserved. Unless otherwise indicated, all materials on these pages are copyrighted by CBI (Pty) Ltd. No part of these pages, either text or image may be used for any purpose other than personal use. Therefore, reproduction, modification, storage in a retrieval system or retransmission, in any form or by any means, electronic, mechanical or otherwise, for reasons other than personal use, is strictly prohibited without prior written permission. CBI (Pty) Ltd reserves the right to alter any details of this document without notice and while every effort is made to ensure the accuracy of the content, no warranty is given as to the accuracy of this document and no responsibility will be accepted for error or misinterpretation and any resulting loss.

#### AUSTRALIA

**CBI-electric: Australia**  
27 Wedgewood Rd, Hallam  
Victoria 3803 Australia  
Tel: +61 3 8752 9300  
Fax: +61 3 9796 5407  
Email: [sales@cbi-electric.com.au](mailto:sales@cbi-electric.com.au)  
Website: [www.cbi-electric.com.au](http://www.cbi-electric.com.au)

#### SOUTH AFRICA

**CBI-electric: low voltage**  
Tripswitch Drive Elandsfontein  
Gauteng South Africa  
Tel: +27 11 928 2000  
Fax: + 27 11 392 2354  
Email: [cbi@cbi-electric.com](mailto:cbi@cbi-electric.com)  
[internationalsales@cbi-electric.com](mailto:internationalsales@cbi-electric.com)  
Website: [www.cbi-lowvoltage.com](http://www.cbi-lowvoltage.com)

#### USA

**CBI-electric: North America**  
35 E. Uwchlan Ave Suite 328  
Exton PA 19341 USA  
Tel: +1 610 524 9949  
Fax: +1 610 524 9945  
E-mail: [info@cbibreakers.com](mailto:info@cbibreakers.com)  
Website: [www.cbibreakers.com](http://www.cbibreakers.com)